

**PLEASE CHECK WWW.MOLEX.COM FOR LATEST PART INFORMATION**

**Part Number:** [0446610011](#)  
**Status:** **Active**  
**Overview:** [modular\\_plugs\\_jacks](#)  
**Description:** Modular Jack, Right Angle, Low Profile, 8/8

**Documents:**

<a href="#">Drawing (PDF)</a>	<a href="#">Test Summary (PDF)</a>
<a href="#">Packaging Specification (PDF)</a>	<a href="#">Product Specification PS-44560-003 (PDF)</a>
<a href="#">3D Model</a>	<a href="#">RoHS Certificate of Compliance (PDF)</a>

**Agency Certification**

CSA	LR19980
UL	E107635

**General**

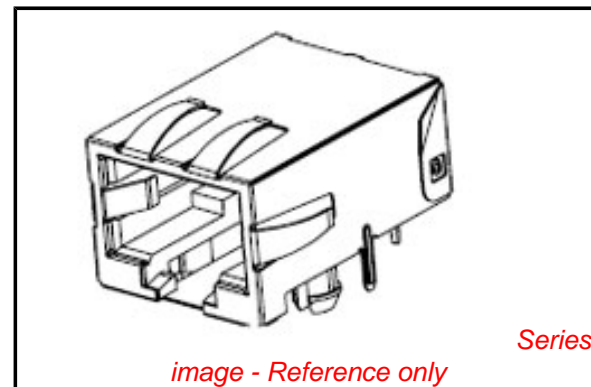
Product Family	Modular Jacks/Plugs
Series	<a href="#">44661</a>
Comments	Enhanced panel grounding tabs
Component Type	PCB Jack
Magnetic	No
Overview	<a href="#">modular_plugs_jacks</a>
Performance Category	5e
Power over Ethernet (PoE)	N/A
Product Name	RJ45

**Physical**

Color - Resin	Black
Durability (mating cycles max)	500
Flammability	94V-0
Inverted / Top Latch	No
Lightpipes/LEDs	None
Material - Metal	Brass, Phosphor Bronze
Material - Plating Mating	Gold
Material - Plating Termination	Tin
Material - Resin	High Temperature Thermoplastic
Orientation	Right Angle (Side Entry)
PCB Retention	Yes
PCB Thickness Recommended (in)	0.062 In
PCB Thickness Recommended (mm)	1.60 mm
Packaging Type	Tray
Plating min: Mating (µin)	50
Plating min: Mating (µm)	1.25
Plating min: Termination (µin)	100
Plating min: Termination (µm)	2.5
Ports	1
Positions / Loaded Contacts	8/8
Surface Mount Compatible (SMC)	Yes
Temperature Range - Operating	-40°C to +70°C
Termination Interface: Style	Through Hole
Wire/Cable Type	N/A

**Electrical**

Current - Maximum per Contact	1.5A
Grounding to Panel	Yes
Shielded	Yes
Voltage - Maximum	150V



**EU RoHS**

**ELV and RoHS  
Compliant**  
**REACH SVHC  
Contains SVHC: No**  
**Halogen-Free  
Status**

**China RoHS**



**Need more information on product  
environmental compliance?**

Email [productcompliance@molex.com](mailto:productcompliance@molex.com)  
 For a multiple part number RoHS Certificate of  
 Compliance, [click here](#)

Please visit the [Contact Us](#) section for any  
 non-product compliance questions.

**Search Parts in this Series**

[44661Series](#)

**Mates With**

FCC 68 Plugs

### **Solder Process Data**

Duration at Max. Process Temperature (seconds)	5
Lead-free Process Capability	Wave Capable (TH only)
Max. Cycles at Max. Process Temperature	1
Process Temperature max. C	260

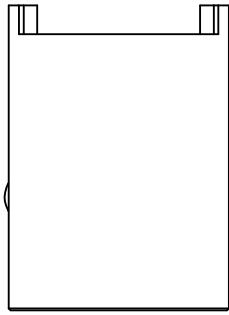
### **Material Info**

#### **Reference - Drawing Numbers**

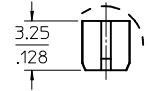
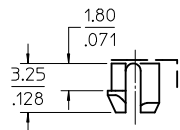
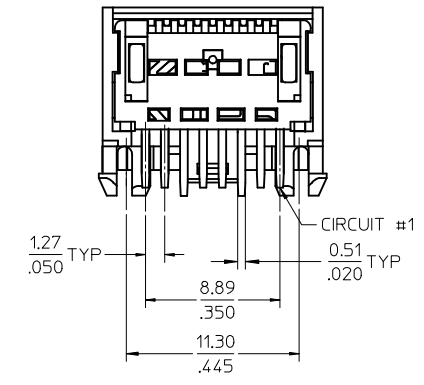
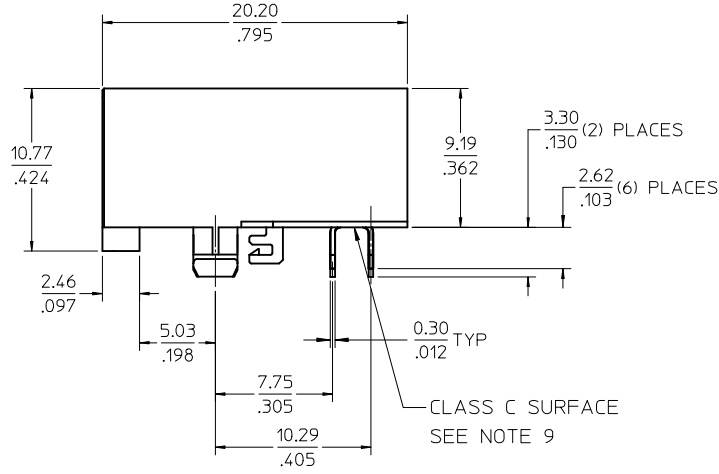
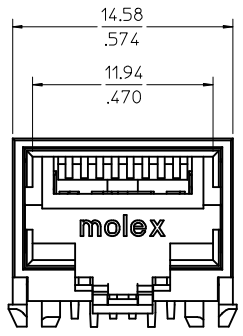
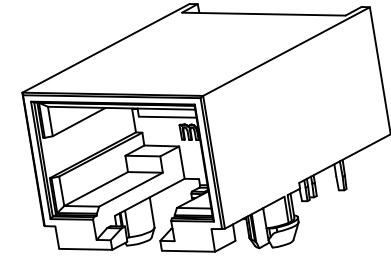
Packaging Specification	PK-44661-004
Product Specification	PS-44560-003, RPS-44560-004, RPS-44661-004
Sales Drawing	SD-44661-001
Test Summary	TS-44560-003

This document was generated on 05/24/2010

**PLEASE CHECK [WWW.MOLEX.COM](http://WWW.MOLEX.COM) FOR LATEST PART INFORMATION**



- NOTES:
- 1) MATERIAL:  
HOUSING: NYLON(PA), GLASS FILLED, UL94V-0, COLOR: BLACK  
TERMINALS: PHOSPHOR BRONZE
  - 2) FINISH:  
TERMINALS:  
SELECT GOLD IN CONTACT AREA: 1.27 MICROMETERS / 50 MICROINCHES MIN.,  
SELECT MATTE TIN IN PC TAIL AREA: 2.54 MICROMETERS / 100 MICROINCHES MIN.,  
WITH OVERALL NICKEL UNDERPLATE: 1.27 MICROMETERS / 50 MICROINCHES MIN.
  - 3) PRODUCT SPECIFICATION AND PROCESSING PARAMETERS: PS-44560-003.
  - 4) PACKAGING SPECIFICATION:  
CONNECTOR PACKAGED IN TRAYS PER MOLEX PACKAGING SPECIFICATION  
PK-44661-004.
  - 5) CONFORMS TO FCC REGULATION PART 68.5 FOR MODULAR JACKS.
  - 6) SEE SHEET (4) OF (4) FOR RECOMMENDED PANEL OPENING AND PCB LAYOUT.
  - 7) ASSEMBLY AVAILABLE WITH EITHER SNAP-FIT OR PRESS-FIT PEGS. THIS DRAWING SHOWS SNAP-FIT PEGS.
  - 8) TERMINAL LENGTHS MAY BE DIFFERENT FROM TERMINAL TO TERMINAL.
  - 9) THIS PART CONFORMS TO CLASS B REQUIREMENTS OF COSMETIC SPECIFICATION PS-45499-002 WITH THE EXCEPTION OF THE SURFACE INDICATED, WHICH IS A CLASS C SURFACE.
  - 10) THIS PRODUCT IS COMPLIANT TO RoHS DIRECTIVE 2002/95/EC AND ELV ANNEX II OF DIRECTIVE 2000/53/EC.



SNAP-FIT PEG

PRESS-FIT PEG

ASSEMBLY MATERIAL NUMBER	PEG STYLE
446610002	SNAP-FIT
446611002	PRESS-FIT

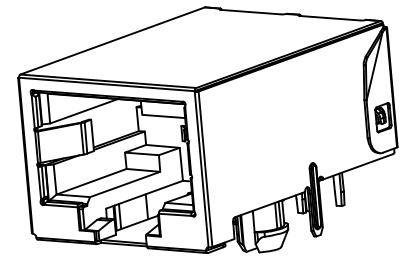
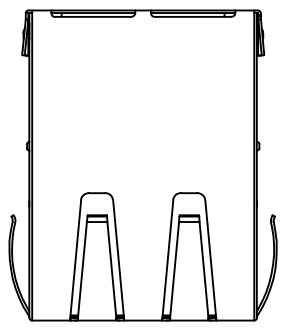
REV	DESCRIPTION	DATE	BY
G2	UPDATE NOTES	2009/07/28	JROBERTS
	EC NO: UCP2009-2791	2009/07/06	MKAMAR
	DRWN:JBELL	2009/07/22	MKAMAR
	CHKD:MKIPPER	2009/07/22	MKAMAR
	APPR:FSMITH	2009/07/23	MKAMAR

QUALITY SYMBOLS	GENERAL TOLERANCES (UNLESS SPECIFIED)
▽=0	mm INCH
▽=0	4 PLACES ± --- ± ---
	3 PLACES ± --- ± .012
	2 PLACES ± 0.30 ± ---
	1 PLACE ± --- ± ---
	ANGULAR ± 1/2°

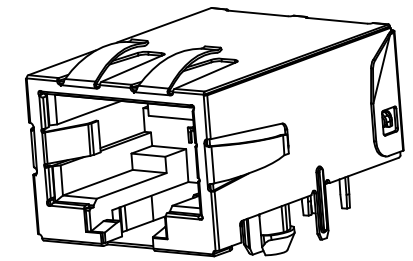
DIMENSION STYLE		SCALE		DESIGN UNITS		THIRD ANGLE PROJECTION	
MM/IN		4:1		INCH		THIRD ANGLE PROJECTION	
DRAWN BY	DATE	TITLE				COMPACT SINGLE PORT CATEGORY 5E MODJACK	
MKAMAR	00/04/07	DRAWN BY				DATE	
CHECKED BY	DATE	CHECKED BY				DATE	
MKAMAR	00/04/07	APPROVED BY				DATE	
JROBERTS	00/04/07	MATERIAL NO.				DOCUMENT NO.	
SEE CHART		SD-44661-001				SHEET NO.	
DRAFT WHERE APPLICABLE MUST REMAIN WITHIN DIMENSIONS		THIS DRAWING CONTAINS INFORMATION THAT IS PROPRIETARY TO MOLEX INCORPORATED AND SHOULD NOT BE USED WITHOUT WRITTEN PERMISSION				1 OF 4	

MATERIAL NO.		DOCUMENT NO.		SHEET NO.	
SEE CHART		SD-44661-001		1 OF 4	

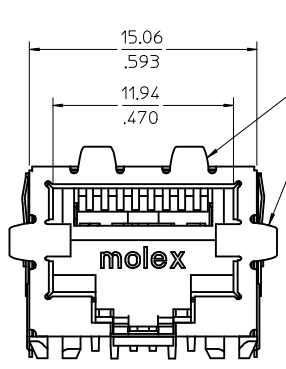
- NOTES:  
 1) MATERIAL:  
 HOUSING: NYLON(PA), GLASS FILLED, UL94V-0, COLOR: BLACK  
 TERMINALS: PHOSPHOR BRONZE  
 SHIELD: BRASS, 0.18 / .007 THICK  
 2) FINISH:  
 TERMINALS:  
 SELECT GOLD IN CONTACT AREA: 127 MICROMETERS / 50 MICROINCHES MIN..  
 SELECT MATTE TIN IN PC TAIL AREA: 254 MICROMETERS / 100 MICROINCHES MIN..  
 WITH OVERALL NICKEL UNDERPLATE: 127 MICROMETERS / 50 MICROINCHES MIN.  
 SHIELD:  
 2.54 MICROMETERS / 100 MICROINCHES NICKEL OVER 1.27 MICROMETERS / 50 MICROINCHES COPPER UNDERPLATE; PCB GROUND TABS DIPPED IN TIN  
 3) PRODUCT SPECIFICATION AND PROCESSING PARAMETERS: PS-44560-003.  
 4) PACKAGING SPECIFICATION:  
 CONNECTOR PACKAGED IN TRAYS PER MOLEX PACKAGING SPECIFICATION PK-44661-004.  
 5) CONFORMS TO FCC REGULATION PART 68.5 FOR MODULAR JACKS.  
 6) ENHANCED GROUND TABS SHIELD (OPTION -B-) IS SHOWN IN THIS DRAWING.  
 7) SEE SHEET (4) OF (4) FOR RECOMMENDED PANEL OPENING AND PCB LAYOUT.  
 8) ASSEMBLY AVAILABLE WITH EITHER SNAP-FIT OR PRESS-FIT PEGS. THIS DRAWING SHOWS SNAP-FIT PEGS.  
 9) TERMINAL LENGTHS MAY BE DIFFERENT FROM TERMINAL TO TERMINAL.  
 10) THIS PART CONFORMS TO CLASS B REQUIREMENTS OF COSMETIC SPECIFICATION PS-45499-002 WITH THE EXCEPTION OF THE SURFACE INDICATED, WHICH IS A CLASS C SURFACE.  
 11) THIS PRODUCT IS COMPLIANT TO RoHS DIRECTIVE 2002/95/EC AND ELV ANNEX II OF DIRECTIVE 2000/53/EC.



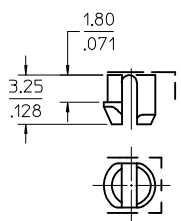
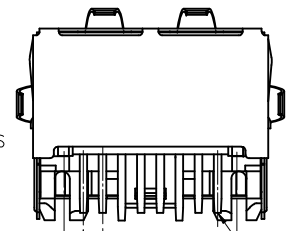
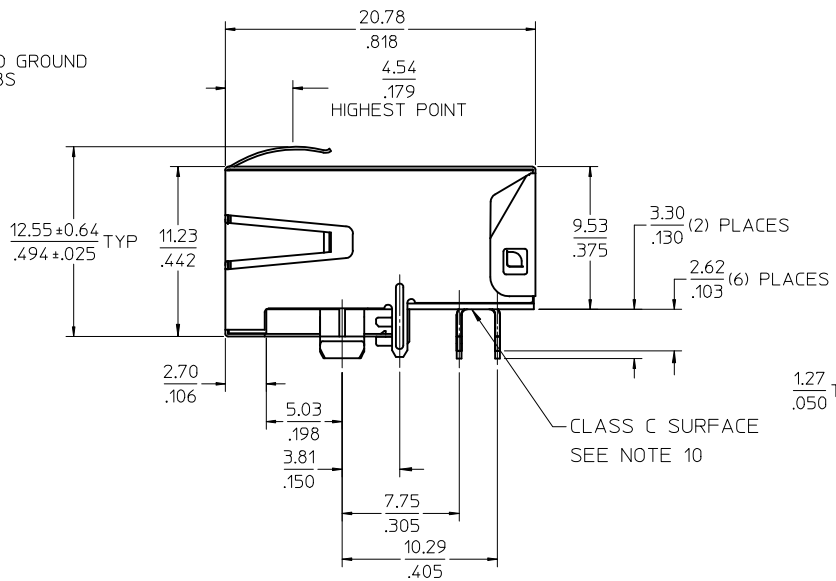
SHIELDING OPTION -A-  
STANDARD SHIELD



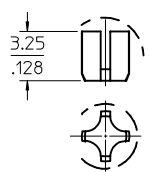
SHIELDING OPTION -B-  
ENHANCED GROUND TABS



ENHANCED GROUND TABS



SNAP-FIT PEG



PRESS-FIT PEG

ASSEMBLY MATERIAL NUMBER	PEG STYLE	SHIELDING OPTION
446610001	SNAP-FIT	A
446610011	SNAP-FIT	B
446611001	PRESS-FIT	A
446611011	PRESS-FIT	B

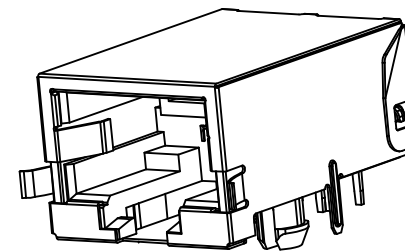
REV	DESCRIPTION	QUALITY SYMBOLS
G2	UPDATE NOTES EC NO: UCP2009-2791 DRWN: BELL CHKD: JHKKIPPER APPR: FSMITH	▽=0 ▽=0

GENERAL TOLERANCES (UNLESS SPECIFIED)	
4 PLACES ± ---	± ---
3 PLACES ± ---	± .012
2 PLACES ± 0.30	± ---
1 PLACE ± ---	± ---
ANGULAR ± 1/2°	
DRAFT WHERE APPLICABLE MUST REMAIN WITHIN DIMENSIONS	

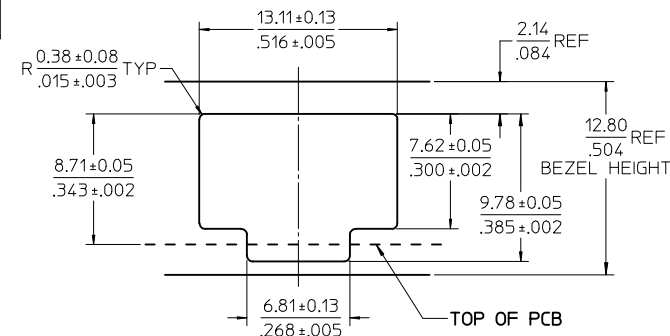
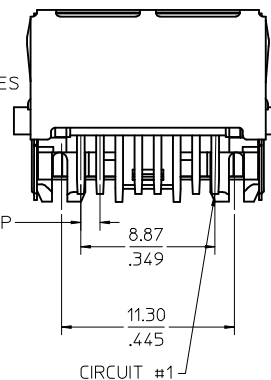
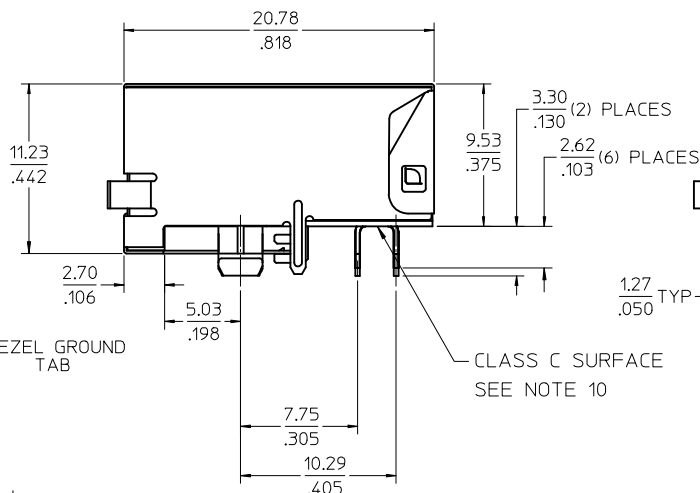
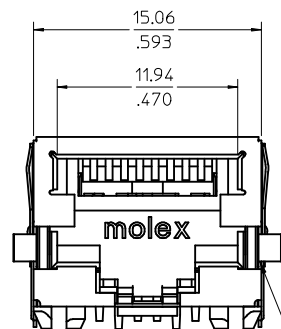
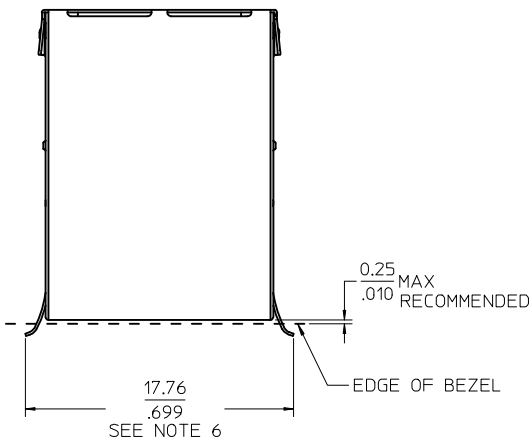
DIMENSION STYLE		SCALE	DESIGN UNITS	THIRD ANGLE PROJECTION
MM/IN		4:1	INCH	
DRAWN BY	DATE	TITLE		
MKAMAR	00/04/07	COMPACT SINGLE PORT CATEGORY 5E MODJACK		
CHECKED BY	DATE	MOLEX INCORPORATED		
MKAMAR	00/04/07	SD-44661-001		
APPROVED BY	DATE	MATERIAL NO.		
JROBERTS	00/04/07	DOCUMENT NO.		
SEE CHART		SHEET NO.		
SEE CHART		2 OF 4		

THIS DRAWING CONTAINS INFORMATION THAT IS PROPRIETARY TO MOLEX INCORPORATED AND SHOULD NOT BE USED WITHOUT WRITTEN PERMISSION

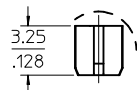
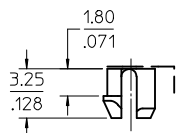
- NOTES:  
 1) MATERIAL:  
 HOUSING: NYLON (PA), GLASS FILLED, UL94V-0, COLOR: BLACK  
 TERMINALS: PHOSPHOR BRONZE  
 SHIELD: BRASS, 0.18 / .007 THICK  
 2) FINISH:  
 TERMINALS:  
 SELECT GOLD IN CONTACT AREA: 1.27 MICROMETERS / 50 MICROINCHES MIN.  
 SELECT MATTE TIN IN PC TAIL AREA: 2.54 MICROMETERS / 100 MICROINCHES MIN.,  
 WITH OVERALL NICKEL UNDERPLATE: 1.27 MICROMETERS / 50 MICROINCHES MIN.  
 SHIELD:  
 2.54 MICROMETERS / 100 MICROINCHES NICKEL OVER 1.27 MICROMETERS /  
 50 MICROINCHES COPPER UNDERPLATE; PCB GROUND TABS DIPPED IN TIN.  
 3) PRODUCT SPECIFICATION AND PROCESSING PARAMETERS: PS-44560-003.  
 4) PACKAGING SPECIFICATION:  
 CONNECTOR PACKAGED IN TRAYS PER MOLEX PACKAGING  
 SPECIFICATION PK-44661-004.  
 5) CONFORMS TO FCC REGULATION PART 68.5 FOR MODULAR JACKS.  
 6) THIS DIMENSION HAS A MAXIMUM OF 20.45/0.805 WHEN THE JACK IS INSTALLED  
 BEHIND THE BEZEL.  
 7) SEE SHEET (4) OF (4) FOR PCB LAYOUT.  
 8) ASSEMBLY AVAILABLE WITH EITHER SNAP-FIT OR PRESS-FIT PEGS. THIS  
 DRAWING SHOWS SNAP-FIT PEGS.  
 9) TERMINAL LENGTHS MAY BE DIFFERENT FROM TERMINAL TO TERMINAL.  
 10) THIS PART CONFORMS TO CLASS B REQUIREMENTS OF COSMETIC  
 SPECIFICATION PS-45499-002 WITH THE EXCEPTION OF THE SURFACE  
 INDICATED, WHICH IS A CLASS C SURFACE.  
 11) THIS PRODUCT IS COMPLIANT TO ROHS DIRECTIVE 2002/95/EC AND ELV  
 ANNEX II OF DIRECTIVE 2000/53/EC.



SHIELDING OPTION -C-  
 BEZEL GROUND TABS



RECOMMENDED  
 PANEL OPENING  
 FOR PMC BEZEL ONLY



SNAP-FIT PEG

PRESS-FIT PEG

REV	DESCRIPTION	DATE
G2	UPDATE NOTES	2009/07/06
	EC NO: UCP2009-2791	2009/07/06
	DRWIN:JBELL	2009/07/22
	CHKD:HKIPPER	2009/07/22
	APPR:FSMITH	2009/07/23

QUALITY SYMBOLS
▽=0
▽=0

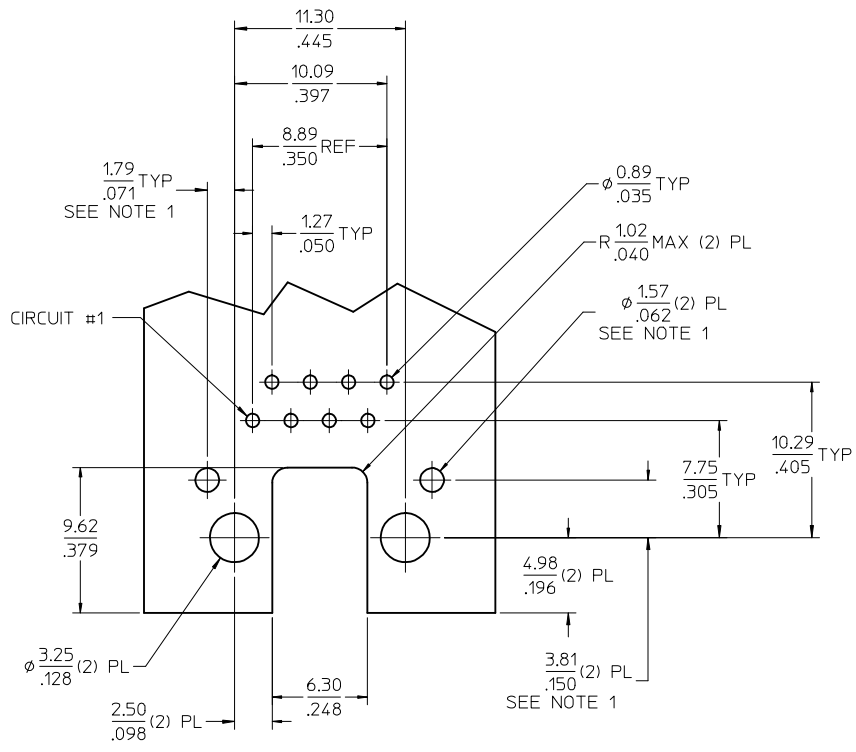
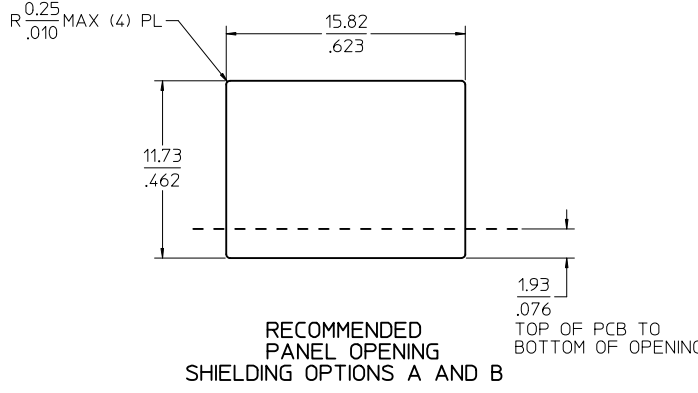
GENERAL TOLERANCES (UNLESS SPECIFIED)	
mm	INCH
4 PLACES ± .012	± .0005
3 PLACES ± .012	± .0005
2 PLACES ± 0.30	± .012
1 PLACE ± .012	± .0005
ANGULAR ± 1/2°	

DRAFT WHERE APPLICABLE  
 MUST REMAIN  
 WITHIN DIMENSIONS

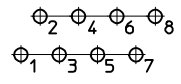
DIMENSION STYLE	
MM/IN	
DRAWN BY	DATE
MKAMAR	00/04/07
CHECKED BY	DATE
MKAMAR	00/04/07
APPROVED BY	DATE
JROBERTS	00/04/07
MATERIAL NO.	DOCUMENT NO.
SEE CHART	SD-44661-001
SIZE	
C	

SCALE	DESIGN UNITS	THIRD ANGLE PROJECTION
4:1	INCH	☉
TITLE		
COMPACT SINGLE PORT CATEGORY 5E MODJACK		
MATERIAL NO. DOCUMENT NO.		
SEE CHART SD-44661-001		
		SHEET NO.
		3 OF 4

ASSEMBLY MATERIAL NUMBER	PEG STYLE
446610021	SNAP-FIT
446611021	PRESS-FIT



PCB LAYOUT : COMPONENT SIDE  
 RECOMMENDED PCB THICKNESS (SNAP-FIT PEG) : 1.57/.062  
 TOLERANCE  $\pm 0.076/0.003$  UNLESS OTHERWISE SPECIFIED



TYPICAL PC TERMINAL HOLE LAYOUT

NOTES:  
 1. DIMENSIONS REFER TO ASSEMBLIES WITH SHIELDING OPTION

EC NO: UCP2009-2791 DRWN: BELL 2009/07/06 CHKD: MKIPPER 2009/07/22 APPR: FSMITH 2009/07/23 DESCRIPTION REV: G2	QUALITY SYMBOLS	GENERAL TOLERANCES (UNLESS SPECIFIED) mm INCH 4 PLACES $\pm$ --- $\pm$ --- 3 PLACES $\pm$ --- $\pm 0.12$ 2 PLACES $\pm 0.30$ $\pm$ --- 1 PLACE $\pm$ --- $\pm$ --- ANGULAR $\pm 1/2^\circ$ DRAFT WHERE APPLICABLE MUST REMAIN WITHIN DIMENSIONS	DIMENSION STYLE	SCALE	DESIGN UNITS	THIRD ANGLE PROJECTION COMPACT SINGLE PORT CATEGORY 5E MODJACK MOLEX INCORPORATED DOCUMENT NO. SD-44661-001 SHEET NO. 4 OF 4
	$\nabla=0$ $\nabla=0$		MM/IN	4:1	INCH	
			DRAWN BY	DATE	TITLE	
			CHECKED BY	DATE		
		APPROVED BY	DATE			
		MATERIAL NO.	N/A			
		SIZE	THIS DRAWING CONTAINS INFORMATION THAT IS PROPRIETARY TO MOLEX INCORPORATED AND SHOULD NOT BE USED WITHOUT WRITTEN PERMISSION			